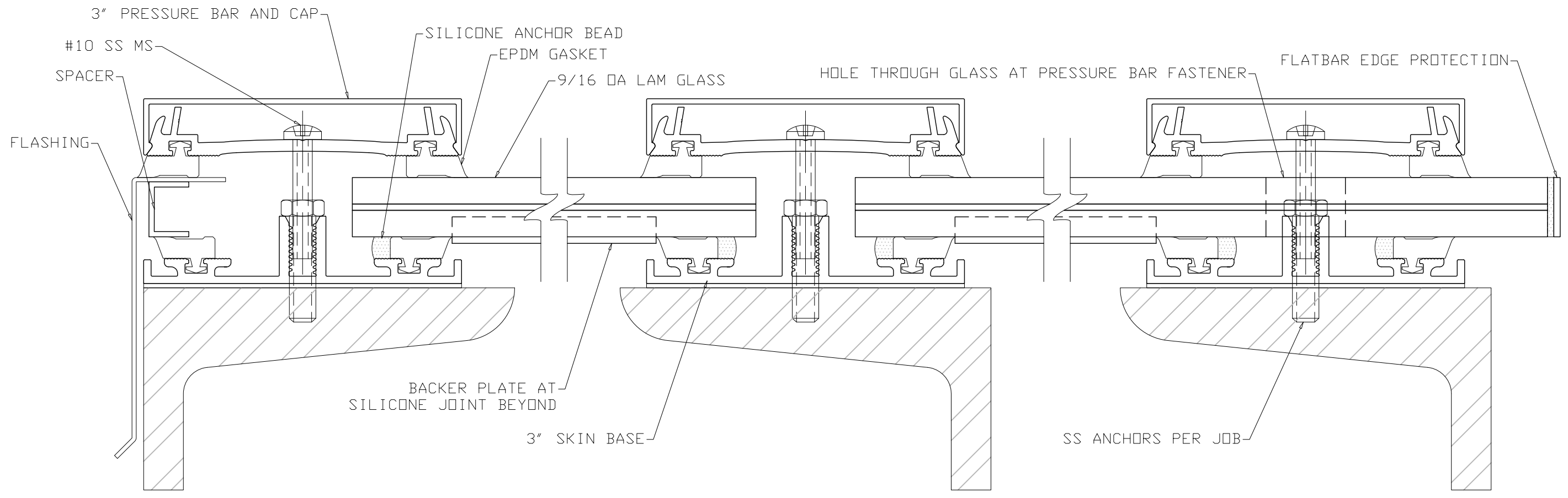


1 SILL DETAIL
SCALE 1' - 0" = 1' - 0"

2 SILICONE JOINT DETAIL
SCALE 1' - 0" = 1' - 0"

3 HEAD DETAIL
SCALE 1' - 0" = 1' - 0"



4 JAMB DETAIL
SCALE 1' - 0" = 1' - 0"

5 RAFTER DETAIL
SCALE 1' - 0" = 1' - 0"

6 ALT JAMB DETAIL
SCALE 1' - 0" = 1' - 0"

LACEY GLASS
1210 HOMANN DRIVE SE
LACEY, WA 98503
TEL: 360.459.8411
FAX: 360.438.7894
WWW.LACEYGLASS.COM

LG JOB NUMBER
-

Q 1/4" 1/2" 3/4" 1"
PLOTTING SCALE CHECK

PROJECT
WEBSITE
DRAWINGS
-

ARCHITECT
-
-

GENERAL CONTRACTOR
-
-

CUSTOMER
-
-

STRUCTURAL ENGINEER
-
-

DRAWN DD CHECK -

DATE 12/1/10 SCALE AS NOTED

REVISIONS		
NO.	DATE	BY
-	-	-
-	-	-
-	-	-
-	-	-

SHEET
1
SET
1